

ETM Armaturen

Europe Technology Manufacturer



INDUSTRIAL VALVES

2018 Low Torque Design

Y-STRAINER
GATE VALVES
GLOBE VALVES
CHECK VALVES
BELLOWS SEAL VALVES

BS EN 1873-2014

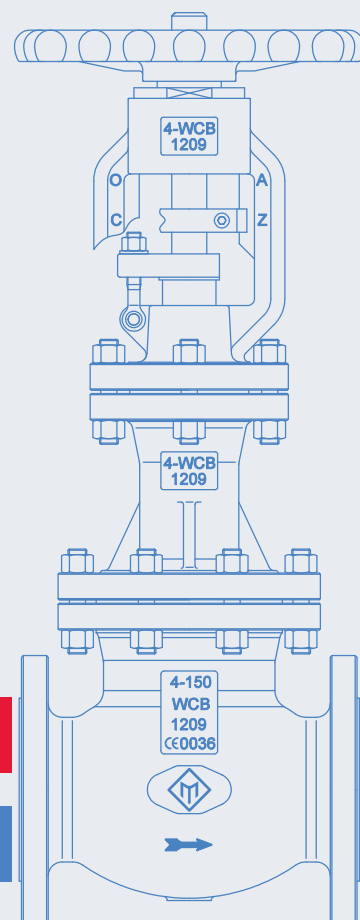
BELLOW SEAL GLOBE VALVE

ETM Armaturen

Add: Oubei town, Yongjia county, WenZhou City, ZheJiang province, China, 325102

Phone: +86 577 6795 3935 Fax: +86 577 6798 3935

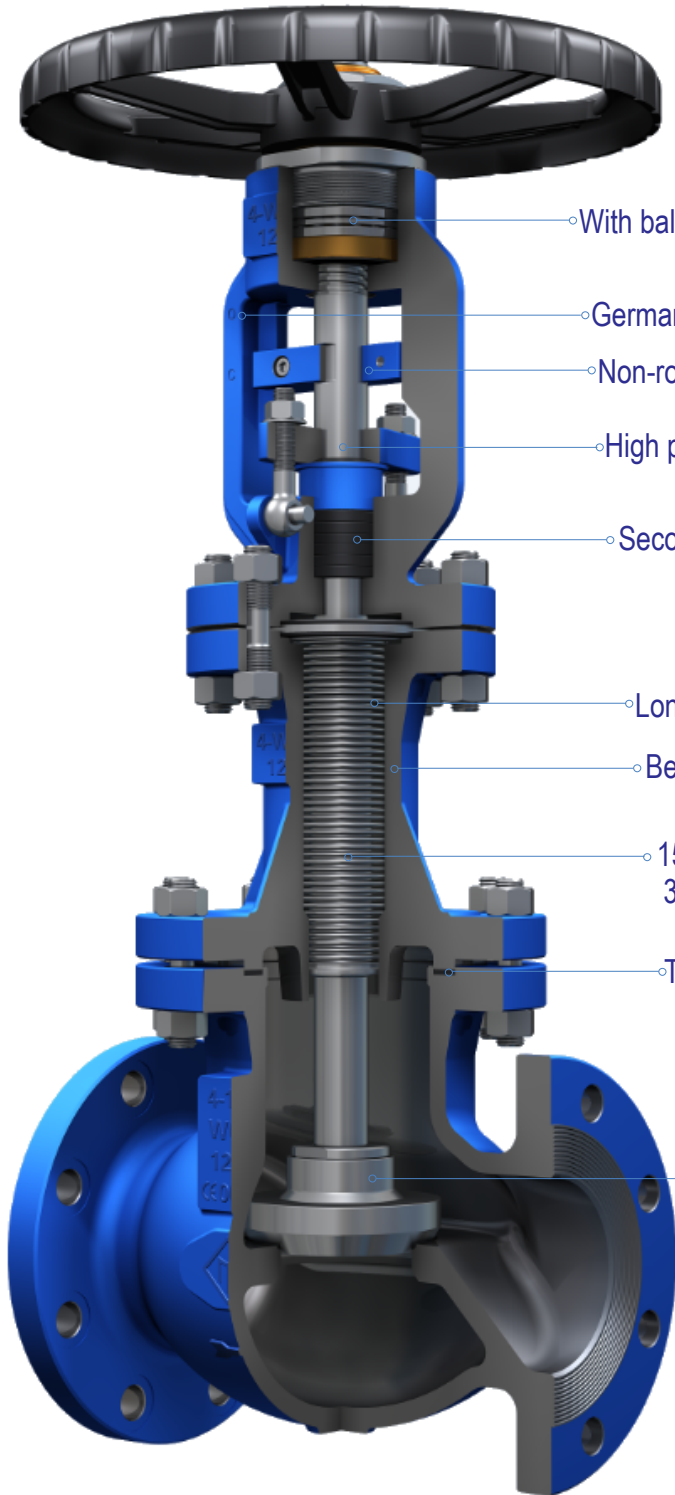
E-mail: info@etmarmaturen.de - <http://www.etmarmaturen.com>



POWER

High Performance

LONG LIFE DESIGN



- With ball bearing design as standard
- German & English Position indicator Marking
- Non-rotation lock device design as standard
- High performance packing gland flange design
- Secondary-High performance packing as standard
- Long bellow design as standard
- Bellow protective chamber as standard
- 150LB -Double wall bellow seal as standard
300LB & 600LB -Triple wall bellow seal as standard
- Tongue & Groove type middle flange connection as standard
- Plug disc as standard



CE0036



TA-LUFT
VDI2440



ISO15848-1



ABS



BUREAU
VERITAS

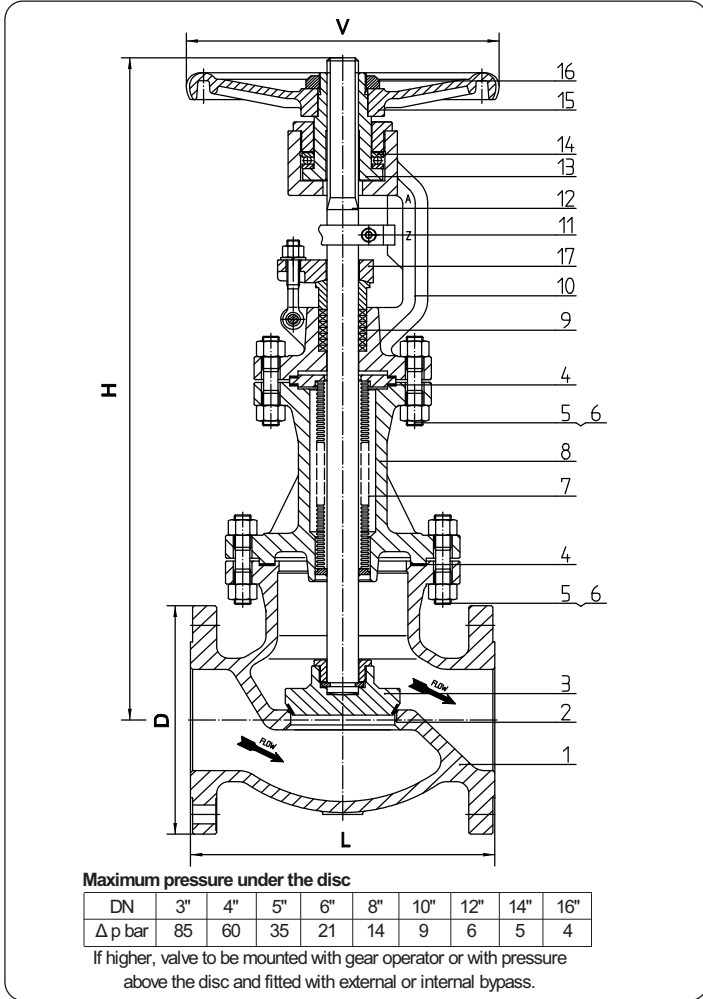
ETM Armaturen Europe Technology Manufacturer

Oubei town, YongJia county, WenZhou City, ZheJiang Province, China, 325102

Phone: +86 577 67953935 - Fax: +86 577 67983935 - www.etmarmaturen.com - info@etmarmaturen.de



standard features



- **Description**
NON ROTATION LOCK DEVICE DESIGN
SECONDARY-PACKING DESIGN
LONG BELLOW DESIGN
GONGUR & GROOVE CONNECTION FLANGE
PLUG TYPE DISC DESIGN
BALL BEARING DESIGN
- **Design** BS EN 1873
- **Face to face** ASME B16.10
- **Flanges** ASME B16.5
BW TO ASME B16.25
- **Testing** API 598
- **Rating** ASME B16.34
BS EN 12516
- **Marking** MSS-SP 25
- **Certificates** CE - PED
EN10204-3.1
- GERMANY TUV SUD 2014/68/EU
- GERMANY TUV SUD TA-LUFT VDI2440
- GERMANY TUV SUD ISO 15848-1

PART NAME	MATERIAL			
	ASTM A216 Gr.WCB	ASTM A352 Gr.LCB	ASTM A351 Gr.CF8	ASTM A351 Gr.CF8M
1. Body	ASTM A216 Gr.WCB	ASTM A352 Gr.LCB	ASTM A351 Gr.CF8	ASTM A351 Gr.CF8M
2. Seat ring surface	STL (1) Overlay	STL (1) Overlay	STL (1) Overlay	STL (1) Overlay
3. Disc seat surface	X20Cr13 (1) Overlay	X20Cr13 (1) Overlay	F304 (1) Overlay	F316 (1) Overlay
4. Gasket	S.S reinforced graphite (3)	S.S reinforced graphite (3)	S.S reinforced graphite (3)	S.S reinforced graphite (3)
5. Nuts	ASTM A194 Gr.2H	ASTM A194 Gr.8	ASTM A194 Gr.8	ASTM A194 Gr.8
6. Bolts	ASTM A193 Gr.B7	ASTM A193 Gr.B8	ASTM A193 Gr.B8	ASTM A193 Gr.B8
7. Bellow	S.S 316L/1.4571/S.S321	S.S 316L/1.4571/S.S321	S.S 316L/1.4571/S.S321	S.S 316L/1.4571/S.S321
8. Bonnet	ASTM A216 Gr.WCB	ASTM A352 Gr.LCB	ASTM A351 Gr.CF8	ASTM A351 Gr.CF8M
9. Packing	Graphite (3)	Graphite (3)	Graphite (3)	Graphite (3)
10. Yoke	ASTM A216 Gr.WCB	ASTM A352 Gr.LCB	ASTM A351 Gr.CF8	ASTM A351 Gr.CF8M
11. Non-rot device	C.S	C.S	Stainless Steel	Stainless Steel
12. Stem	ASTM A182 Gr.F6a	ASTM A182 Gr.F6a	ASTM A182 Gr.F304	ASTM A182 Gr.F316
13. Yoke nuts	Cu-Alloy (2)	Cu-Alloy (2)	Cu-Alloy (2)	Cu-Alloy (2)
14. Ball bearing	Alloy Steel	Alloy Steel	Alloy Steel	Alloy Steel
15. Handwheel	Steel	Steel	Steel	Steel
16. Lock nuts	C.S	C.S	C.S	C.S
17. Gland flange	ASTM A216 Gr.WCB	ASTM A216 Gr.WCB	ASTM A351 Gr.CF8	ASTM A351 Gr.CF8

(1)On request:face with Stellite - Monel - Hastelloy - other materials.
(2)On request:ASTM A439 Gr.D2
(3)On request:PTFE-other materials.

All data, subject to technical changes, are only for information and not for official use.





FIG.LB.450 BELLOW SEAL GLOBE VALVE ASME CLASS 150LB

SIZE	2"	2-1/2"	3"	4"	5"	6"	8"	10"	12"	14"	16"
L RF/BW	203	216	241	292	356	406	495	622	699	787	914
L RTJ	216	219	254	305	368	419	508	635	711	800	927
D	150	180	190	230	255	280	345	405	485	535	595
V	200	250	250	300	350	350	400	500	500	600	600
H	460	520	550	665	710	795	895	1020	1150	1370	1420
Stroke	18	20	23	30	34	40	52	65	80	100	115

FIG.LB.451 BELLOW SEAL GLOBE VALVE ASME CLASS 300LB

SIZE	2"	2-1/2"	3"	4"	5"	6"	8"	10"	12"	14"	16"
L RF/BW	267	292	318	356	400	445	559	622	711	838	864
L RTJ	282	308	333	371	416	460	549	638	727	854	879
D	165	190	210	255	280	320	381	445	520	585	650
V	200	250	250	300	350	350	400	500	500	600	600
H	460	520	550	685	740	825	970	1100	1320	1520	1640
Stroke	18	20	23	30	34	40	52	65	80	100	115

FIG.LB.452 BELLOW SEAL GLOBE VALVE ASME CLASS 600LB

SIZE	2"	2-1/2"	3"	4"	5"	6"	8"	10"
L RF/BW	292	330	356	432	508	559	660	787
L RTJ	295	333	359	435	511	562	663	790
D	165	190	210	255	280	320	381	445
V	200	250	300	350	500	550	600	650
H	460	520	550	685	740	825	970	1100
Stroke	18	20	23	30	34	40	52	65

Please indicate when ordering:

1. Figure-No.
2. Nominal pressure (CLASS 300LB)
3. Nominal diameter (NPS 8")
4. Special design / accessories

Example:

ETM Armaturen Figure LB.451 ; CLASS 300LB; NPS 8" .

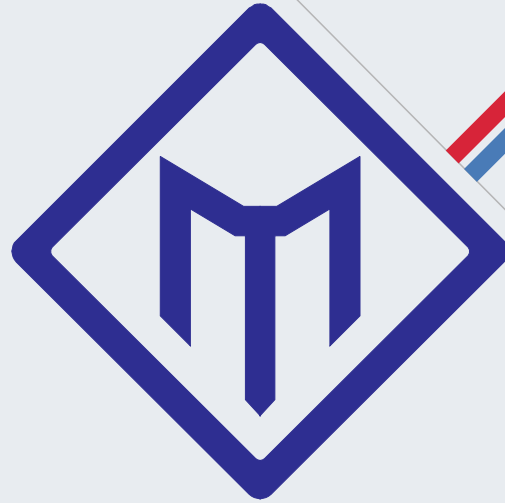
features on request

- TOP FLANGE TO ISO 5210
- GEAR OPERATOR
- CHAIN WHEEL OPERATOR
- PNEUMATIC ACTUATOR
- HYDRAULIC ACTUATOR
- ELECTRIC ACTUATOR
- POSITION INDICATOR
- LIMIT SWITCHES
- LOCKING / INTERLOCK SYSTEM
- PTFE SOFT SEATS
- STEM PROTECTION / EXTENSION
- REGULATING DISC
- DOUBLE STAGE DISC
- STOP CHECK DISC
- LIVE LOADED PACKING
- DRAIN PLUG
- BW ENDS
- DIN-FLANGE

All dimensions in mm (except where differently indicated)

All data, subject to technical changes, are only for information and not for official use.





ETM Armaturen
Europe Technology Manufacturer

