

ETM Armaturen

Europe Technology Manufacturer



Y-STRAINER
GATE VALVES
GLOBE VALVES
CHECK VALVES
BELLOWS SEAL VALVES

BS EN 13709-2010

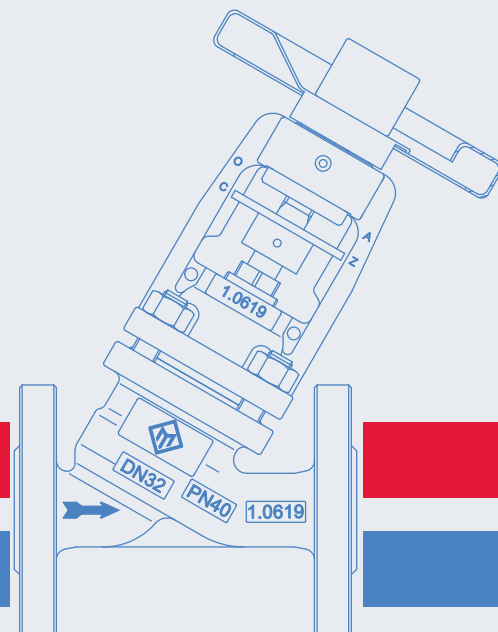
BELLOWS GLOBE VALVES

ETM Armaturen

Add: Oubei town, Yongjia county, WenZhou City, ZheJiang province, China, 325102

Phone: +86 577 6795 3935 Fax: +86 577 6798 3935

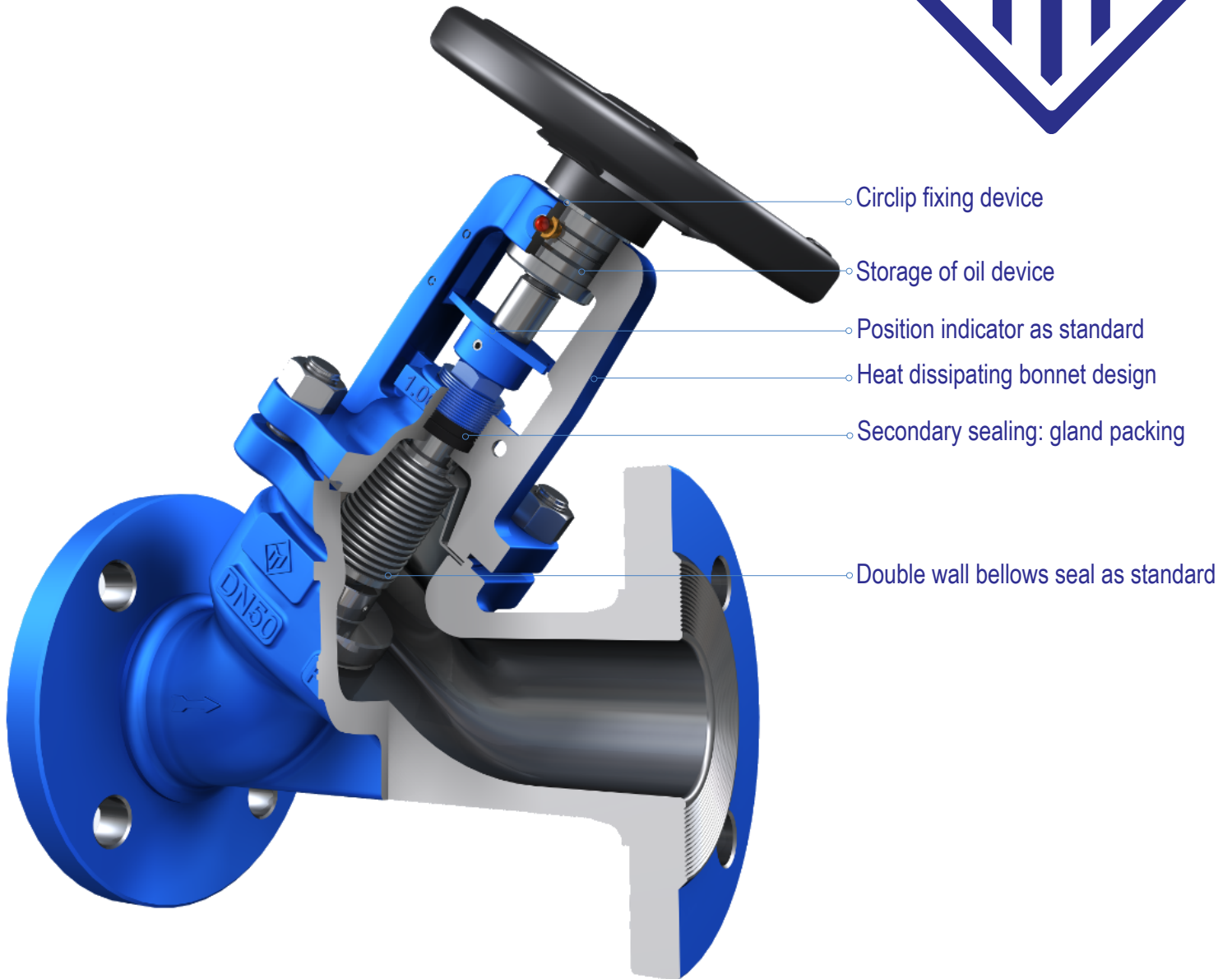
E-mail: info@etmarmaturen.de - <http://www.etmarmaturen.com>



ETM Armaturen

Europe Technology Manufacturer

Y Pattern
Globe Valve



- Circlip fixing device
- Storage of oil device
- Position indicator as standard
- Heat dissipating bonnet design
- Secondary sealing: gland packing
- Double wall bellows seal as standard



CE0036



TA-LUFT
VDI2440



ISO15848-1



ABS



BUREAU
VERITAS

ETM Armaturen Europe Technology Manufacturer

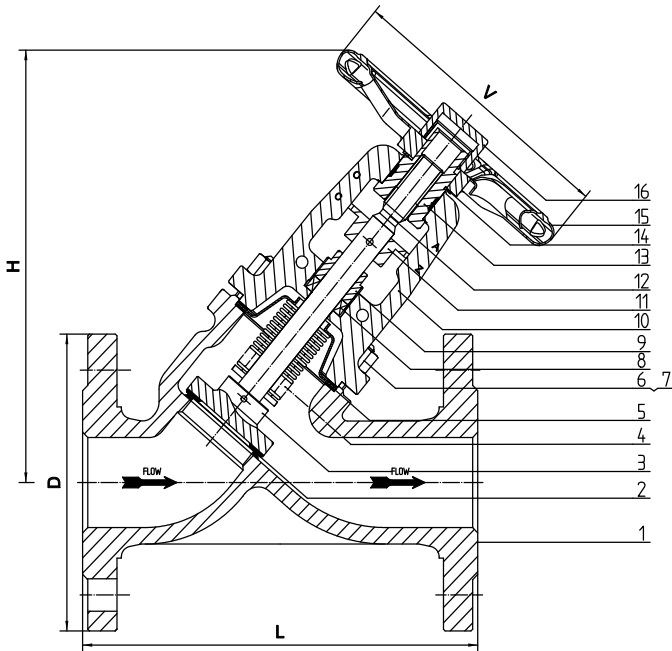
Oubei town, YongJia county, WenZhou City, ZheJiang Province, China, 325102

Phone: +86 577 67953935 - Fax: +86 577 67983935 - www.etmarmaturen.com - info@etmarmaturen.de



standard features

- **Description** BOLTED BONNET
OUTSIDE SCREW AND YOKE
RISING STEM
NON RISING HANDWHEEL
LOOSE DISC
- **Design** BS EN 13709
- **Face to face** BS EN 558-1
- **Flanges** BS EN 1092-1
BW TO BS EN 12627
- **Testing** BS EN 12266
- **Rating** BS EN 12516
- **Marking** EN 19
- **Certificates** CE - PED
EN10204-3.1
- GERMANY TUV SUD 2014/68/EU
- GERMANY TUV SUD TA-LUFT VDI2440
- GERMANY TUV SUD ISO 15848-1



Maximum pressure under the disc

DN	80	100	125	150	200	250	300	350	400
Δ p bar	85	60	35	21	14	9	6	5	4

If higher, valve to be mounted with gear operator or with pressure above the disc and fitted with external or internal bypass.

PART NAME	MATERIAL		
1. Body	1.0619	1.4308	1.4408
2. Seat Surface	X20Cr13 (1) Overlay	Integral SS304	Integral SS316
3. Disc Seat Surface	X20Cr13 (1) Overlay	Integral SS304	Integral SS316
4. Bellows	SS316L	SS316L	SS316L
5. Gasket	S.S reinforced Graphite (4)	S.S reinforced Graphite (4)	S.S reinforced Graphite (4)
6. Hexagon Nut	ASTM A194 2H	ASTM A194 8	ASTM A194 8
7. Bolts	ASTM A193 B7	ASTM A193 B8	ASTM A193 B8
8. Packing	Graphite	Graphite	Graphite
9. Gland	1.0460	S.S	S.S
10. Bonnet	1.0619	1.4308	1.4408
11. Non Rot. Device	Steel	S.S304	S.S304
12. Stem	X20Cr13 (2)	1.4301	1.4401
13. Yoke Nut	GGG40.3 (3)	Cu-Alloy	Cu-Alloy
14. Lock Nut	C.S	C.S	C.S
15. Handwheel	Steel	Steel	Steel
16. Circlip	65Mn	65Mn	65Mn

(1) On request: faced with Stellite® - Monel® - Hastelloy® - other materials

(2) On request: 17 Cr - Monel® - Hastelloy® - other materials

(3) On request: GGG50

(4) On request: PTFE - other materials

All data, subject to technical changes, are only for information and not for official use.





FIG.P.071 Y-PATTERN BELLOW SEAL STOP VALVES DIN PN16 - Face to Face F1

SIZE	15	20	25	32	40	50	65	80	100	125	150	200
L RF/BW	130	150	160	180	200	230	290	310	350	400	480	600
D	95	105	115	140	150	165	185	200	220	250	285	340
V	140	140	160	160	180	180	200	250	300	350	400	450
H	190	190	200	200	225	235	250	290	385	410	480	630
Stroke	8	8	10	10	15	16	18	22	28	34	40	50

FIG.P.072 Y-PATTERN BELLOW SEAL STOP VALVES DIN PN25 - Face to Face F1

SIZE	15	20	25	32	40	50	65	80	100	125	150	200
L RF/BW	130	150	160	180	200	230	290	310	350	400	480	600
D	95	105	115	140	150	165	185	200	235	270	300	360
V	140	140	160	160	180	180	200	250	300	350	400	450
H	190	190	200	200	225	235	250	290	385	410	480	630
Stroke	8	8	10	10	15	16	18	22	28	34	40	50

FIG.P.073 Y-PATTERN BELLOW SEAL STOP VALVES DIN PN40 - Face to Face F1

SIZE	15	20	25	32	40	50	65	80	100	125	150	200
L RF/BW	130	150	160	180	200	230	290	310	350	400	480	600
D	95	105	115	140	150	165	185	200	235	270	300	375
V	140	140	160	160	180	180	200	250	300	350	400	450
H	190	190	200	200	225	235	250	290	385	410	480	630
Stroke	8	8	10	10	15	16	18	22	28	34	40	50

Pressure-Temperature Classification Acc. to EN 1092-1

PN	Material	Pressure-Temperature Ratings								
		100°C	150°C	200°C	250°C	300°C	350°C	400°C	450°C	500°C
PN16	1.0619	14.8 Bar	14.0 Bar	13.3 Bar	12.1 Bar	11.0 Bar	10.2 Bar	9.5 Bar	-	-
PN25		23.2 Bar	22.0 Bar	20.8 Bar	19.0 Bar	17.2 Bar	16.0 Bar	14.8 Bar	-	-
PN40		37.1 Bar	35.2 Bar	33.3 Bar	30.4 Bar	27.6 Bar	25.7 Bar	23.8 Bar	-	-
PN16	1.4308	14.5 Bar	13.1 Bar	11.9 Bar	11.0 Bar	10.2 Bar	9.8 Bar	9.5 Bar	9.3 Bar	9.1 Bar
PN25		22.7 Bar	20.4 Bar	18.6 Bar	17.2 Bar	16.0 Bar	15.3 Bar	14.8 Bar	14.5 Bar	14.2 Bar
PN40		32.7 Bar	32.7 Bar	29.9 Bar	27.6 Bar	25.7 Bar	24.5 Bar	23.8 Bar	23.3 Bar	22.8 Bar
PN16	1.4408	16.0 Bar	14.5 Bar	13.4 Bar	12.7 Bar	11.8 Bar	11.4 Bar	10.9 Bar	10.7 Bar	10.5 Bar
PN25		25.0 Bar	22.7 Bar	21.0 Bar	19.8 Bar	18.5 Bar	17.8 Bar	17.1 Bar	16.8 Bar	16.5 Bar
PN40		40.0 Bar	36.3 Bar	33.7 Bar	31.8 Bar	29.7 Bar	28.5 Bar	27.4 Bar	26.9 Bar	26.4 Bar

Note the temperature not listed in the table is selected by linear interpolation method.

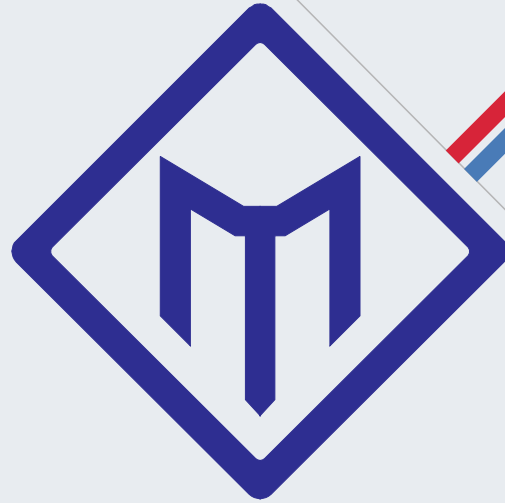
features on request

- TOP FLANGE TO ISO 5210
- GEAR OPERATOR
- CHAIN WHEEL OPERATOR
- PNEUMATIC ACTUATOR
- HYDRAULIC ACTUATOR
- ELECTRIC ACTUATOR
- POSITION INDICATOR
- LIMIT SWITCHES
- LOCKING / INTERLOCK SYSTEM
- PTFE SOFT SEATS
- STEM PROTECTION / EXTENSION
- REGULATING DISC
- DOUBLE STAGE DISC
- STOP CHECK DISC
- LIVE LOADED PACKING
- DRAIN PLUG
- BW ENDS
- ANSI CONNECTIONS

All dimensions in mm (except where differently indicated)

All data, subject to technical changes, are only for information and not for official use.





ETM Armaturen
Europe Technology Manufacturer

